

8/28/2023 10:05 AM
z:\projects\plyco corp\ce-23-0750-1-2023 code change\dwg\pco019 specimen 6 new working.dwg

INSTALLATION NOTES:

- ONE (1) INSTALLATION ANCHOR IS REQUIRED AT EACH ANCHOR LOCATION SHOWN UNLESS OTHERWISE NOTED.
- THE NUMBER OF INSTALLATION ANCHORS DEPICTED IS THE MINIMUM NUMBER OF ANCHORS TO BE USED FOR PRODUCT INSTALLATION.
- INSTALL INDIVIDUAL INSTALLATION ANCHORS WITHIN A TOLERANCE OF ±1/2 INCH OF THE DEPICTED LOCATION IN THE ANCHOR LAYOUT DETAIL (I.E., WITHOUT CONSIDERATION OF TOLERANCES). TOLERANCES ARE NOT CUMULATIVE FROM ONE INSTALLATION ANCHOR TO THE NEXT.
- SHIM AS REQUIRED AT EACH INSTALLATION ANCHOR WITH LOAD BEARING SHIM(S). MAXIMUM ALLOWABLE SHIM STACK TO BE 1/4 INCH. SHIM WHERE SPACE OF 1/16 INCH OR GREATER OCCURS. SHIM(S) SHALL BE CONSTRUCTED OF HIGH DENSITY PLASTIC OR BETTER.
- FOR INSTALLATION INTO WOOD FRAMING USE **#12 WOOD SCREWS** OF SUFFICIENT LENGTH TO ACHIEVE 1 1/2 INCH MINIMUM EMBEDMENT INTO WOOD SUBSTRATE.
- FOR INSTALLATION INTO WOOD FRAMING USE (2) **#10 WOOD SCREWS** THROUGH STRIKE PLATE & (1) **#10 WOOD SCREW** THROUGH HINGE OF SUFFICIENT LENGTH TO ACHIEVE 1 1/2 INCH MINIMUM EMBEDMENT INTO WOOD SUBSTRATE
- FOR INSTALLATION THROUGH 1X BUCK TO CONCRETE/MASONRY, OR DIRECTLY INTO CONCRETE/MASONRY, USE **3/16 INCH DIAMETER ITW TAPCONS** OF SUFFICIENT LENGTH TO ACHIEVE 1 1/4 INCH MINIMUM EMBEDMENT.
- FOR INSTALLATION INTO STEEL STUD FRAME USE **#12 TEK SCREWS** OF SUFFICIENT LENGTH TO ACHIEVE A MINIMUM 3 THREADS PENETRATION BEYOND STEEL STRUCTURE.
- FOR INSTALLATION INTO STEEL STUD FRAME USE (2) **#10 TEK SCREWS** THROUGH STRIKE PLATE & (1) **#10 TEK SCREWS** THROUGH HINGE OF SUFFICIENT LENGTH TO ACHIEVE A MINIMUM 3 THREADS PENETRATION BEYOND STEEL STRUCTURE.
- MINIMUM EMBEDMENT AND EDGE DISTANCE EXCLUDE WALL FINISHES, INCLUDING BUT NOT LIMITED TO STUCCO, FOAM, BRICK VENEER, AND SIDING.
- INSTALLATION ANCHORS AND ASSOCIATED HARDWARE MUST BE MADE OF CORROSION RESISTANT MATERIAL OR HAVE A CORROSION RESISTANT COATING.
- FOR HOLLOW BLOCK AND GROUT FILLED BLOCK, DO NOT INSTALL INSTALLATION ANCHORS INTO MORTAR JOINTS. EDGE DISTANCE IS MEASURED FROM FREE EDGE OF BLOCK OR EDGE OF MORTAR JOINT INTO FACE SHELL OF BLOCK.
- INSTALLATION ANCHORS SHALL BE INSTALLED IN ACCORDANCE WITH ANCHOR MANUFACTURER'S INSTALLATION INSTRUCTIONS, AND ANCHORS SHALL NOT BE USED IN SUBSTRATES WITH STRENGTHS LESS THAN THE MINIMUM STRENGTH SPECIFIED BY THE ANCHOR MANUFACTURER.
- INSTALLATION ANCHOR CAPACITIES FOR PRODUCTS HEREIN ARE BASED ON SUBSTRATE MATERIALS WITH THE FOLLOWING PROPERTIES:
 - WOOD - MINIMUM SPECIFIC GRAVITY OF 0.55.
 - CONCRETE - MINIMUM COMPRESSIVE STRENGTH OF 3000 PSI.
 - MASONRY - STRENGTH CONFORMANCE TO ASTM C-90.
 - STEEL - MINIMUM YIELD STRENGTH OF 33 KSI. MINIMUM WALL THICKNESS OF 48 MILS (18 GAUGE).

PLYCO CORPORATION

SERIES 92TB SINGLE INSWING/OUTSWING FLUSH DOOR W/ MORTISE LOCK & DEADBOLT

GENERAL NOTES:

- THE PRODUCT SHOWN HEREIN IS DESIGNED AND MANUFACTURED TO COMPLY WITH THE CURRENT FLORIDA BUILDING CODE (FBC), EXCLUDING HVHZ AND HAS BEEN EVALUATED ACCORDING TO THE FOLLOWING:
 - ASTM E330-14
 - ASTM E283-04
 - AAMA 1304-02
- ADEQUACY OF THE EXISTING STRUCTURAL CONCRETE/MASONRY AND 2X FRAMING AS A MAIN WIND FORCE RESISTING SYSTEM CAPABLE OF WITHSTANDING AND TRANSFERRING APPLIED PRODUCT LOADS TO THE FOUNDATION IS THE RESPONSIBILITY OF THE ENGINEER OR ARCHITECT OF RECORD FOR THE PROJECT OF INSTALLATION.
- 1X AND 2X BUCKS (WHEN USED) SHALL BE DESIGNED AND ANCHORED TO PROPERLY TRANSFER ALL LOADS TO THE STRUCTURE. BUCK DESIGN AND INSTALLATION IS THE RESPONSIBILITY OF THE ENGINEER OR ARCHITECT OF RECORD FOR THE PROJECT OF INSTALLATION.
- THE INSTALLATION DETAILS DESCRIBED HEREIN ARE GENERIC AND MAY NOT REFLECT ACTUAL CONDITIONS FOR A SPECIFIC SITE. IF SITE CONDITIONS CAUSE INSTALLATION TO DEVIATE FROM THE REQUIREMENTS DETAILED HEREIN, A LICENSED ENGINEER OR ARCHITECT SHALL PREPARE SITE SPECIFIC DOCUMENTS FOR USE WITH THIS DOCUMENT.
- APPROVED IMPACT PROTECTIVE SYSTEM **IS REQUIRED** ON THIS PRODUCT IN AREAS REQUIRING IMPACT RESISTANCE.
- FRAME MATERIAL: ALUMINUM 6063-T5 & 6005-T5
- DISSIMILAR METALS INCLUDING FASTENERS THAT MAY COME INTO CONTACT WITH ALUMINUM UNIT FRAMING SHALL BE PROTECTED AS DEFINED IN CURRENT FLORIDA BUILDING CODE.

TABLE OF CONTENTS	
SHEET	SHEET DESCRIPTION
1	INSTALLATION & GENERAL NOTES
2	ELEVATION & ANCHOR LAYOUT
3	VERTICAL SECTIONS
4	HORIZONTAL SECTIONS
5	COMPONENTS & BILL OF MATERIALS
6	COMPONENTS (CONTINUED)
7	OPTIONAL FRAME EXTENSIONS DETAIL

DESIGN PRESSURE RATING			
LOCK TYPE	DESIGN PRESSURE - ALL SIZES		MISSILE IMPACT RATING
MORTISE LOCK W/ DEADBOLT	+45 / -45 PSF *	W/O WATER INFILTRATION	NON-IMPACT

*UNIT SHALL BE INSTALLED AT LOCATION PROTECTED BY OVERHANG SUCH THAT THE OVERHANG RATIO (OH) = OH LENGTH/OH HEIGHT GREATER THAN 1.0 WHERE WATER INFILTRATION IS REQUIRED.



PLYCO CORPORATION
P.O. BOX 386
500 INDUSTRIAL RD.
ELKHART LAKE, WI, 53020
PH.: (920) 876-3611 FX: (920) 876-3527

TITLE: SERIES 92TB SINGLE INSWING/OUTSWING FLUSH DOOR W/ MORTISE LOCK & DEADBOLT INSTALLATION & GENERAL NOTES
 PREPARED BY: BUILDING DROPS, INC.
 398 E. DANIA BEACH BLVD., STE. 338
 DANIA BEACH, FL 33004
 PH: (954) 399-8478
 FAX: (954) 744-4738
 WEB: www.buildingdrops.com

REMARKS	BY	DATE
5TH FBC CODE CHANGE	AM	10.10.16
6TH FBC CODE CHANGE	SM	02.19.18
FBC CODE CHANGE	FB	08.22.23

THE INSTALLATION DETAILS DESCRIBED HEREIN ARE GENERIC AND MAY NOT REFLECT ACTUAL CONDITIONS FOR A SPECIFIC SITE. IF SITE CONDITIONS CAUSE INSTALLATION TO DEVIATE FROM THE REQUIREMENTS DETAILED HEREIN, A LICENSED ENGINEER OR ARCHITECT SHALL PREPARE SITE SPECIFIC DOCUMENTS FOR USE WITH THIS DOCUMENT.



FL #: **FL16841**

DATE: **08.19.13**

DWG. BY: SSM	CHK. BY: MS
---------------------	--------------------

SCALE: **NTS**

DWG. #: **PCO019**

SHEET

1

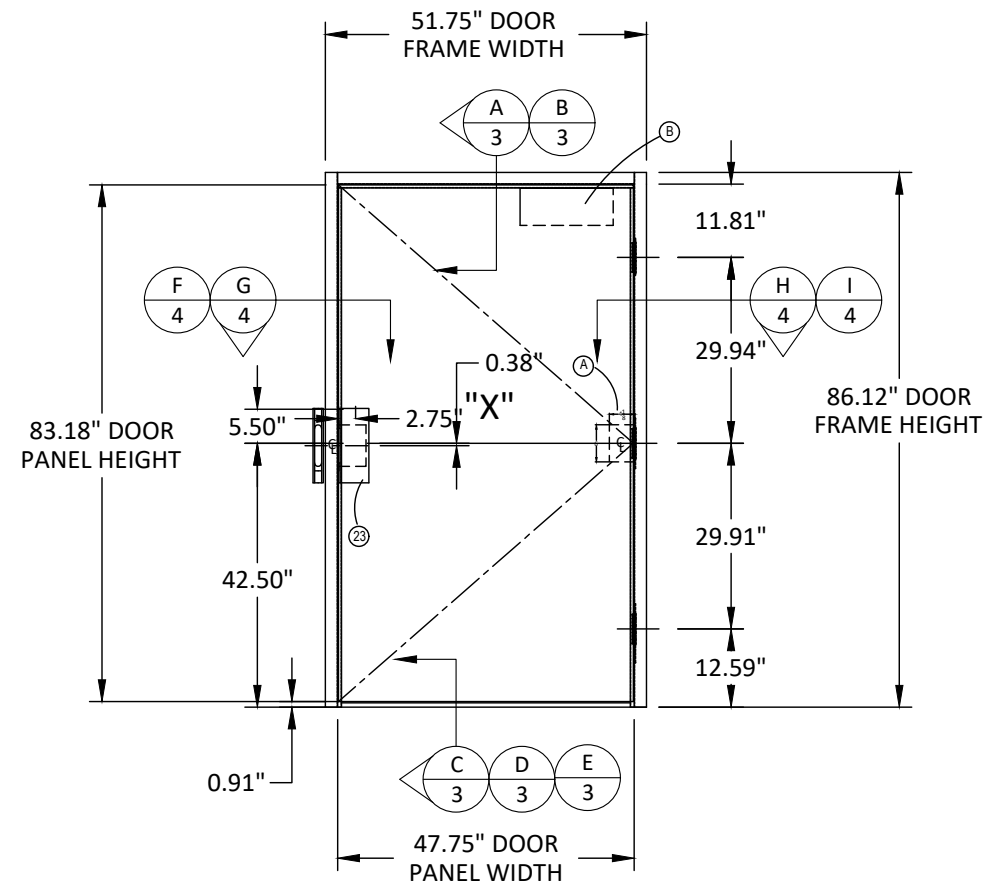
OF 7

PLYCO

PLYCO CORPORATION
 P.O. BOX 386
 500 INDUSTRIAL RD.
 ELKHART LAKE, WI, 53020
 PH.: (920) 876-3611 FX: (920) 876-3527

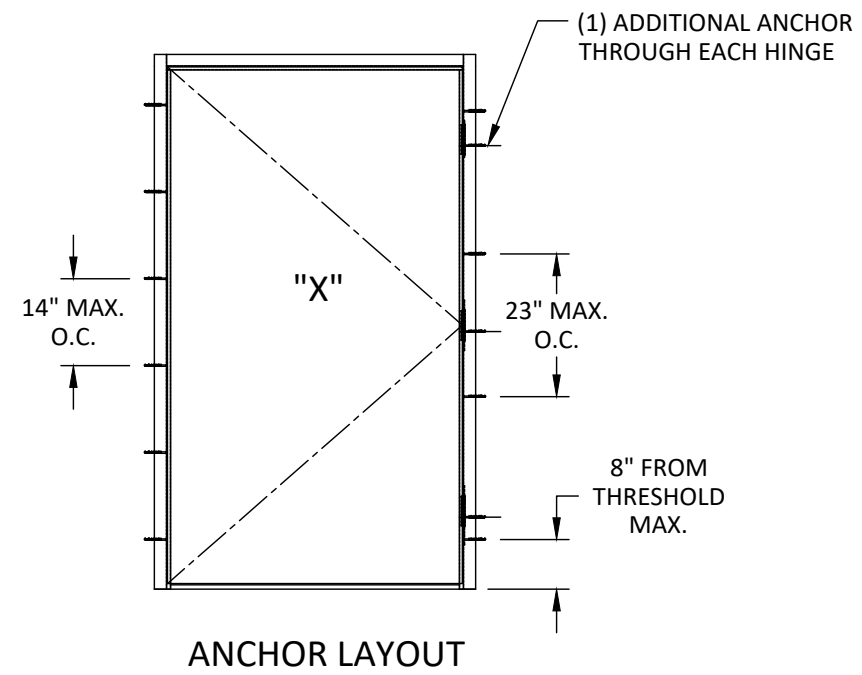
TITLE: SERIES 92TB SINGLE
 INSWING/OUTSWING FLUSH
 DOOR W/ MORTISE LOCK &
 DEADBOLT
 ELEVATION & ANCHOR LAYOUT

PREPARED BY:
BUILDING DROPS, INC.
 398 E. DANIA BEACH BLVD., STE. 338
 DANIA BEACH, FL 33004
 PH: (954) 359-8478
 FAX: (954) 744-4738
 WEB: www.buildingdrops.com



ELEVATION

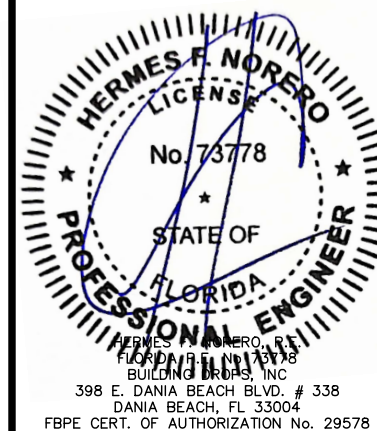
HARDWARE NOTES:
 A: PANIC BAR REINF. PLATE 4" X 6" 16 GA. STEEL (2)
 B: CLOSER REINF. PLATES 6" X 15" 16 GA. STEEL (2)
 23: 1922 WOOD BLOCK



ANCHOR LAYOUT

REMARKS	BY	DATE
5TH FBC CODE CHANGE	AM	10.10.16
6TH FBC CODE CHANGE	SM	02.19.18
FBC CODE CHANGE	FB	08.22.23

THE INSTALLATION DETAILS DESCRIBED HEREIN ARE GENERIC AND MAY NOT REFLECT ACTUAL CONDITIONS FOR A SPECIFIC SITE. IF SITE CONDITIONS CAUSE INSTALLATION TO DEVIATE FROM THE REQUIREMENTS DETAILED HEREIN, A LICENSED ENGINEER OR ARCHITECT SHALL PREPARE SITE SPECIFIC DOCUMENTS FOR USE WITH THIS DOCUMENT.



FL #: **FL16841**

DATE: **08.19.13**

DWG. BY: **SSM** CHK. BY: **MS**

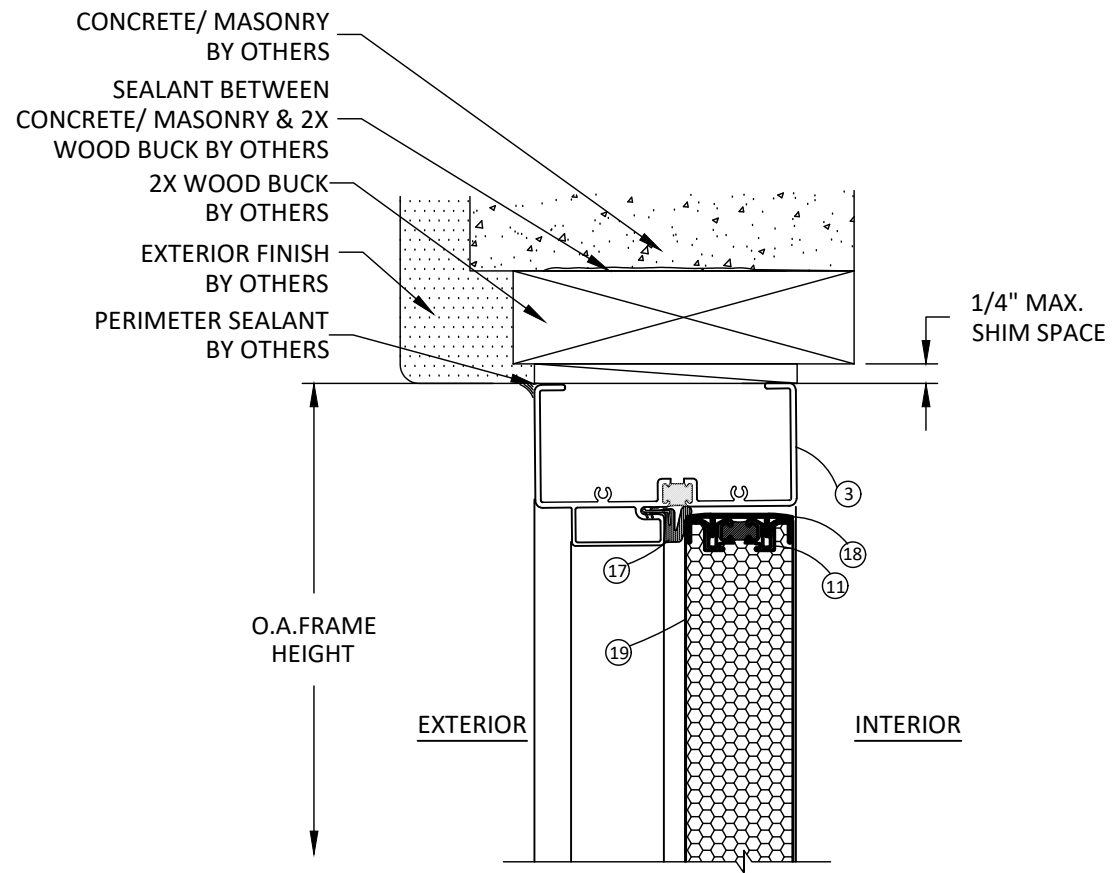
SCALE: **NTS**

DWG. #: **PCO019**

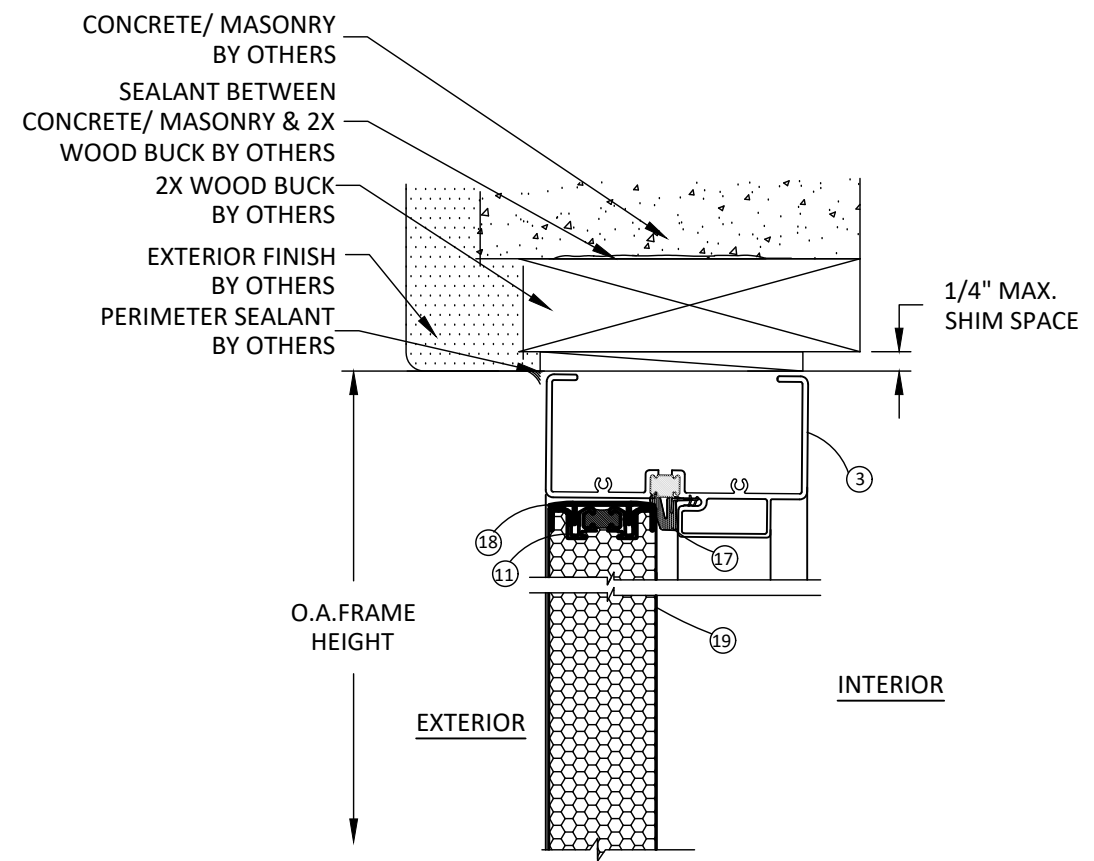
SHEET

2

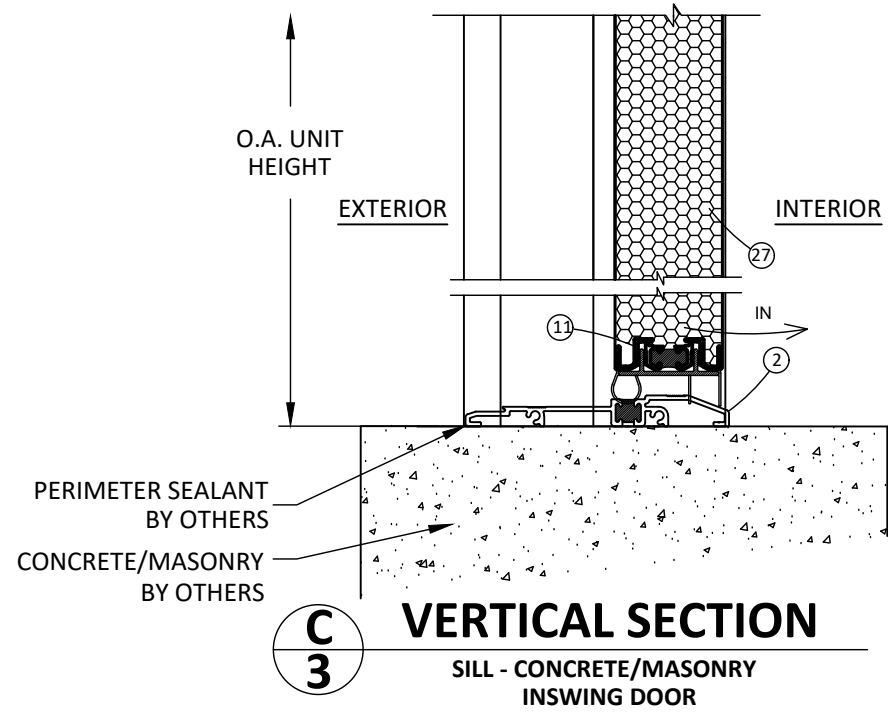
8/28/2023 10:05 AM



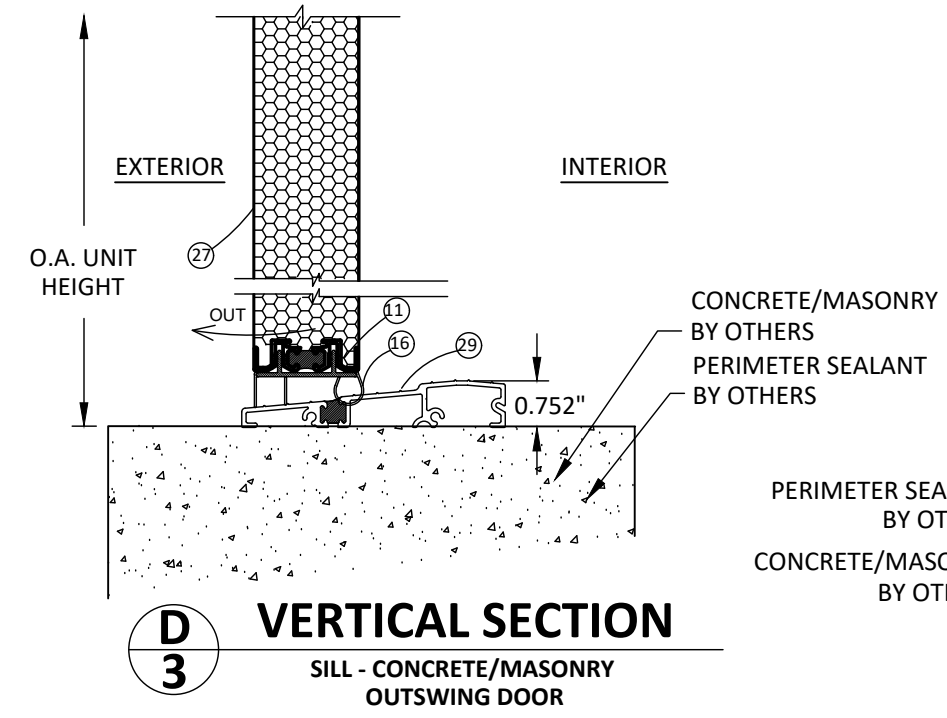
A
3 **VERTICAL SECTION**
HEAD - 2X WOOD BUCK
INSWING DOOR



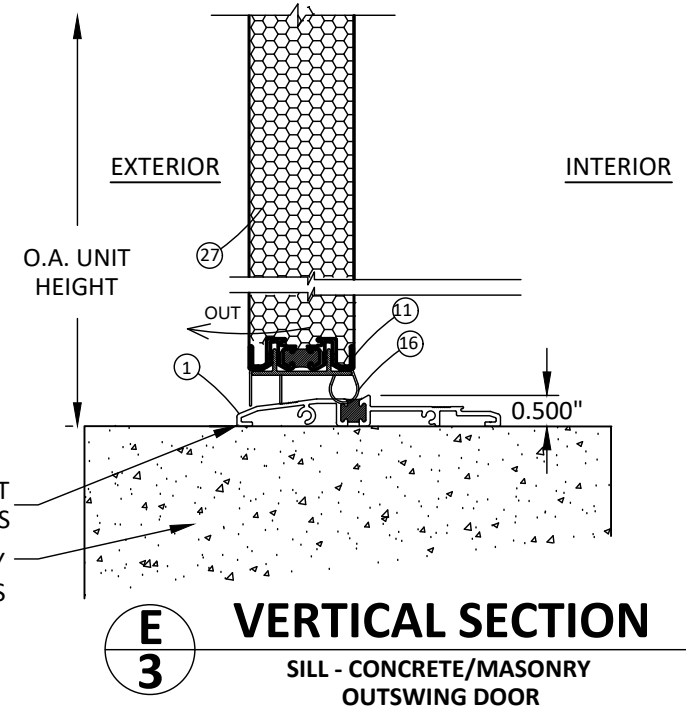
B
3 **VERTICAL SECTION**
HEAD - 2X WOOD BUCK
OUTSWING DOOR



C
3 **VERTICAL SECTION**
SILL - CONCRETE/ MASONRY
INSWING DOOR



D
3 **VERTICAL SECTION**
SILL - CONCRETE/ MASONRY
OUTSWING DOOR



E
3 **VERTICAL SECTION**
SILL - CONCRETE/ MASONRY
OUTSWING DOOR

PLYCO

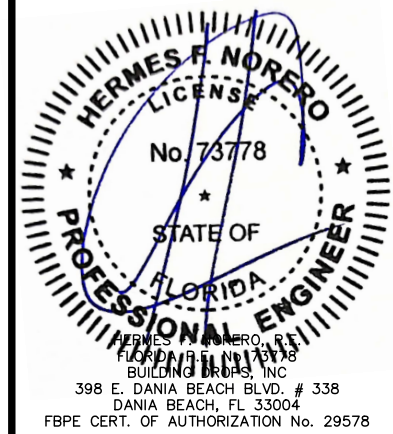
PLYCO CORPORATION
P.O. BOX 386
500 INDUSTRIAL RD.
ELKHART LAKE, WI, 53020
PH.: (920) 876-3611 FX: (920) 876-3527

TITLE: **SERIES 92TB SINGLE INSWING/OUTSWING FLUSH DOOR W/ MORTISE LOCK & DEADBOLT VERTICAL SECTIONS**

PREPARED BY: **BUILDING DROPS, INC.**
398 E. DANIA BEACH BLVD., STE. 338
DANIA BEACH, FL 33004
PH: (954) 399-8478
FAX: (954) 44-4738
WEB: www.buildingdrops.com

REMARKS	BY	DATE
5TH FBC CODE CHANGE	AM	10.10.16
6TH FBC CODE CHANGE	SM	02.19.18
FBC CODE CHANGE	FB	08.22.23

THE INSTALLATION DETAILS DESCRIBED HEREIN ARE GENERIC AND MAY NOT REFLECT ACTUAL CONDITIONS FOR A SPECIFIC SITE. IF SITE CONDITIONS CAUSE INSTALLATION TO DEVIATE FROM THE REQUIREMENTS DETAILED HEREIN, A LICENSED ENGINEER OR ARCHITECT SHALL PREPARE SITE SPECIFIC DOCUMENTS FOR USE WITH THIS DOCUMENT.



FL #: **FL16841**

DATE: **08.19.13**

DWG. BY: **SSM** CHK. BY: **MS**

SCALE: **NTS**

DWG. #: **PC0019**

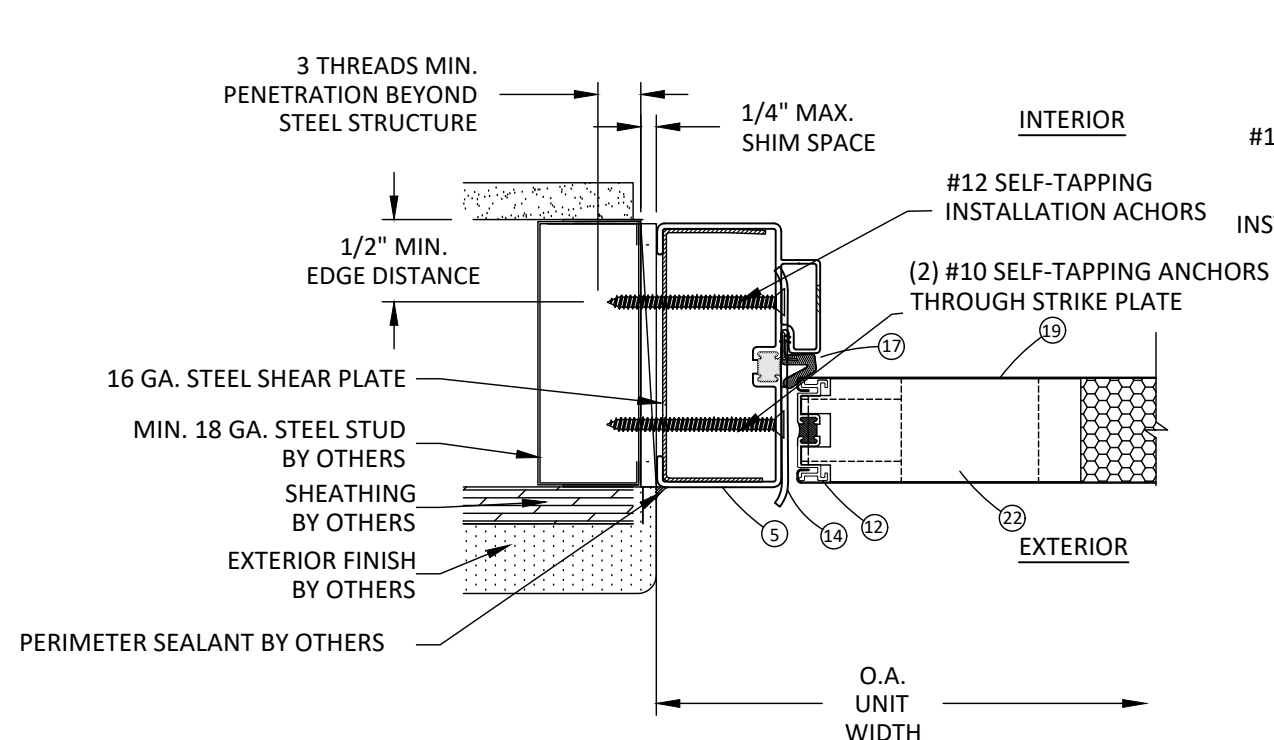
SHEET

3

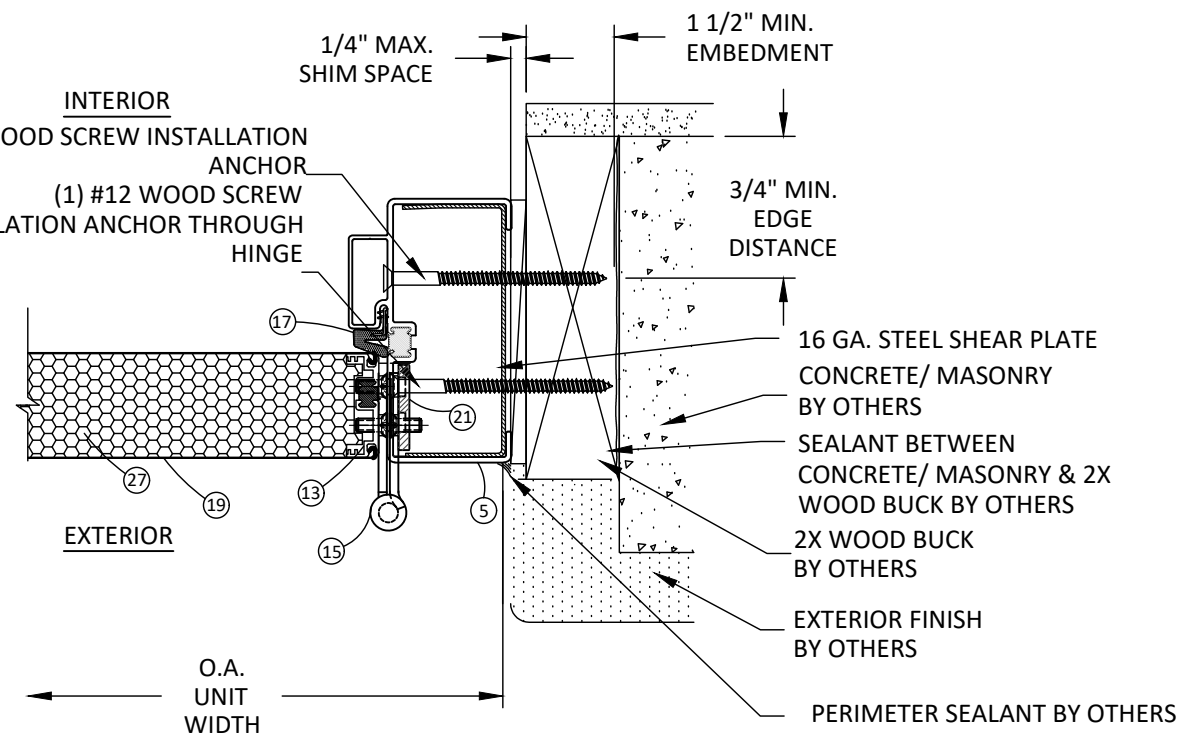
OF 7

z:\projects\plyco corp\cc-23-0750-1-2023 code change\dwgs\pco019 specimen 6 new working.dwg

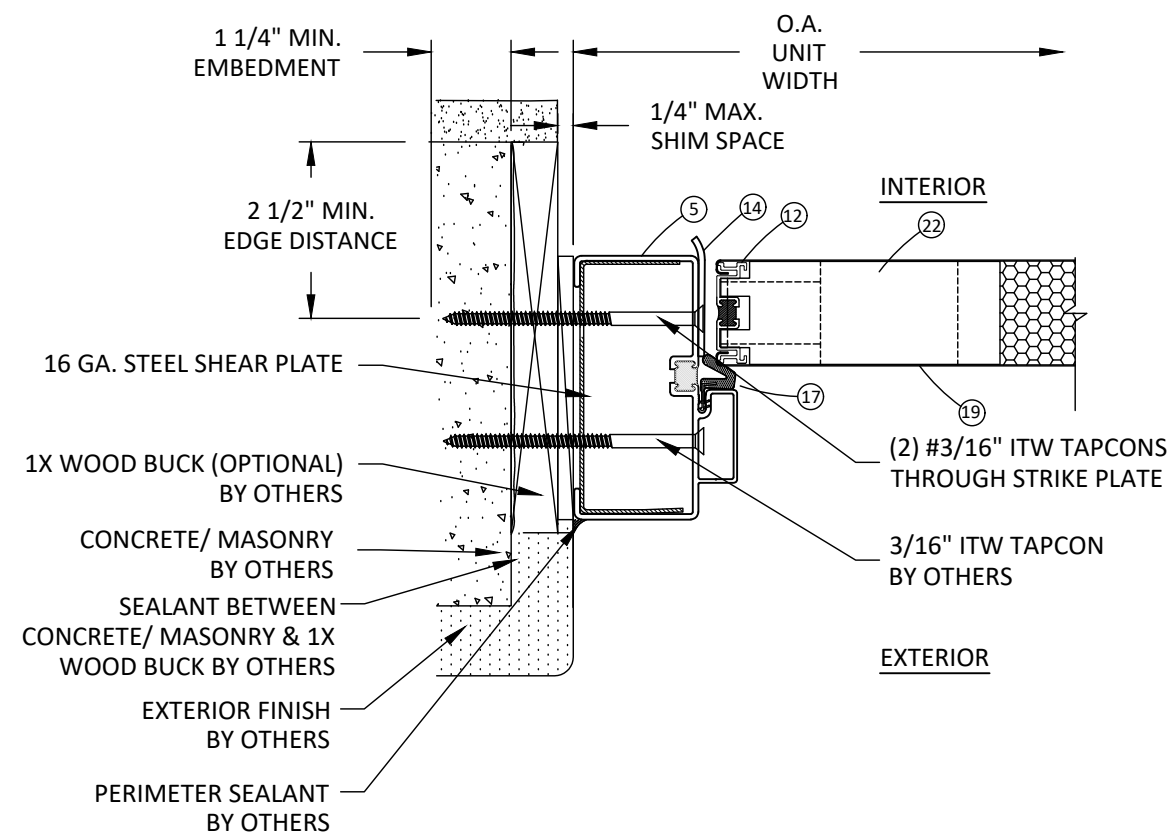
TITLE: **SERIES 92TB SINGLE INSWING/OUTSWING FLUSH DOOR W/ MORTISE LOCK & DEADBOLT**
 HORIZONTAL SECTIONS
 PREPARED BY: **BUILDING DROPS, INC.**
 398 E. DANIA BEACH BLVD., STE. 338
 DANIA BEACH, FL 33004
 PH: (954) 399-8478
 FAX: (954) 744-4738
 WEB: www.buildingdrops.com



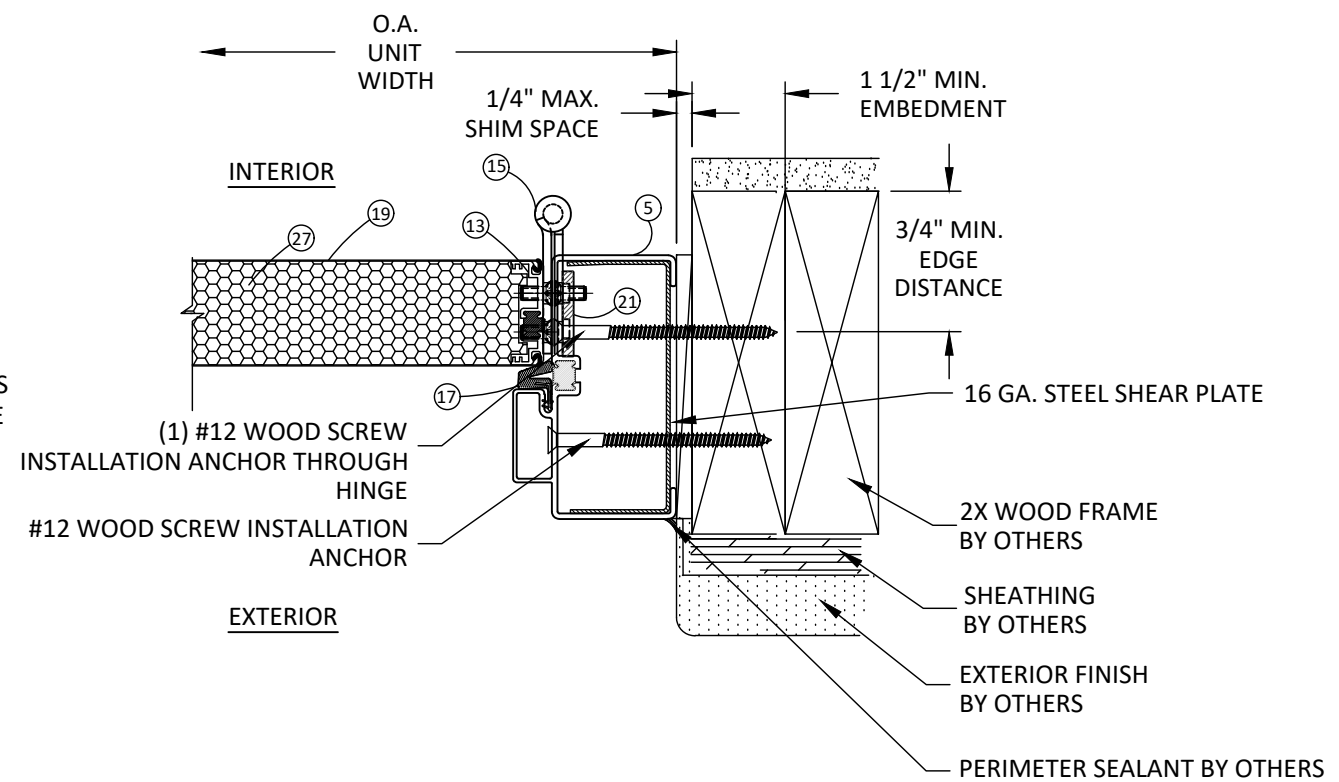
F
4
HORIZONTAL SECTION
 JAMB - STEEL STUD, TYP.
 OUTSWING DOOR



G
4
HORIZONTAL SECTION
 JAMB - 2X WOOD BUCK, TYP.
 OUTSWING DOOR



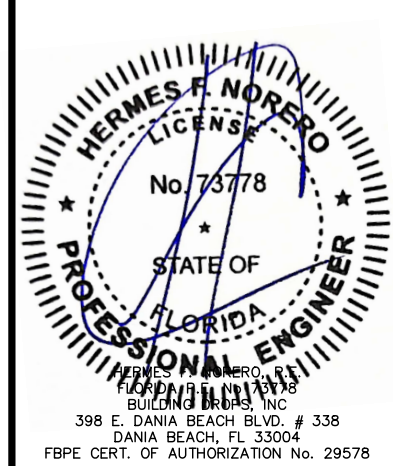
H
4
HORIZONTAL SECTION
 JAMB - MASONRY/CONCRETE, TYP.
 INSWING DOOR



I
4
HORIZONTAL SECTION
 JAMB - 2X WOOD FRAME, TYP.
 INSWING DOOR

REMARKS	BY	DATE
5TH FBC CODE CHANGE	AM	10.10.16
6TH FBC CODE CHANGE	SM	02.19.18
FBC CODE CHANGE	FB	08.22.23

THE INSTALLATION DETAILS DESCRIBED HEREIN ARE GENERIC AND MAY NOT REFLECT ACTUAL CONDITIONS FOR A SPECIFIC SITE. IF SITE CONDITIONS CAUSE INSTALLATION TO DEVIATE FROM THE REQUIREMENTS DETAILED HEREIN, A LICENSED ENGINEER OR ARCHITECT SHALL PREPARE SITE SPECIFIC DOCUMENTS FOR USE WITH THIS DOCUMENT.



FL #: **FL16841**

DATE: **08.19.13**

DWG. BY: SSM	CHK. BY: MS
---------------------	--------------------

SCALE: **NTS**

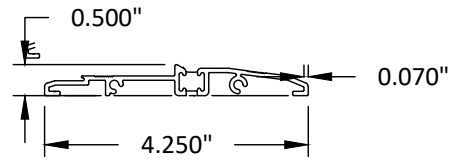
DWG. #: **PC0019**

8/28/2023 10:05 AM
 z:\projects\plyco corp\ce-23-0750.1 - 2023 code change.dwg\pc0019 specimen 6 new working.dwg

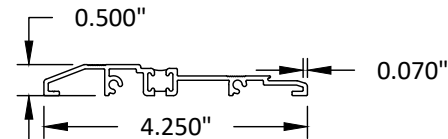
8/28/2023 10:06 AM
z:\projects\plyco corp\cc-23-0750.1 - 2023 code change\dwgs\pco019 specimen 6 new working.dwg

BILL OF MATERIALS				
ITEM #	DESCRIPTION	PART #	MATERIAL	MANUFACTURER
1	FRAME SILL - OUT	HM-23811	6063-T5	PLYCO
2	FRAME SILL - IN	HM-23812	6063-T5	PLYCO
3	FRAME HEAD	1516	6063-T5	PLYCO
4	(NOT USED)	-	-	-
5	FRAME MASTER	1913	G-40 STEEL	PLYCO
6	FRAME EXTENSION	1916	G-40 STEEL	PLYCO
7	FRAME EXTENSION	1917	G-40 STEEL	PLYCO
8	FRAME EXTENSION	1918	G-40 STEEL	PLYCO
9	HEAD EXTENSION	1517	6063-T5	PLYCO
10	HEAD EXTENSION	1518	6063-T5	PLYCO
11	HEAD & SILL RAIL	1905	6063-T5	PLYCO
12	STRIKE RAIL	1899	6063-T5	PLYCO
13	HINGE RAIL	1900	6063-T5	PLYCO
14	STRIKE PLATE	1610-C	STAINLESS	PLYCO
15	4.5" BUTT HINGE	1500	STAINLESS	PLYCO
16	DOOR SWEEP	1852-B	PVC-ALCRYN	LOXSCREEN
17	WEATHERSTRIPPING	QEBD650	Q-LON/FOAM	SCHLEGEL
18	DOOR CAP	1883	RIGID PVC	PLYCO
19	PANEL SKIN		.021" GALV. STL.	PLYCO
20	(NOT USED)	-	-	-
21	HINGE REINFMT	1288	6063-T5	PLYCO
22	LOCK BLOCK	1921	WOOD BLOCK	PLYCO
23	LOCK BLOCK M1	1922	WOOD BLOCK	PLYCO
24	LOCKSET	500HV	STEEL	ADVANTAGE
25	DEADBOLT	B60N	STEEL	SCHLAGE
26	MORTISE LOCK	720ME	STEEL	ADVANTAGE
27	PANEL CORE	134A	POLYURETHANE	FOAM SUPPLIES
28	SHEAR PLATE			PLYCO
29	FRAME SILL - OUT	2062	6063-T5	ASTROSHAPES
30	ALUMINUM BAR		6005-T5	PLYCO

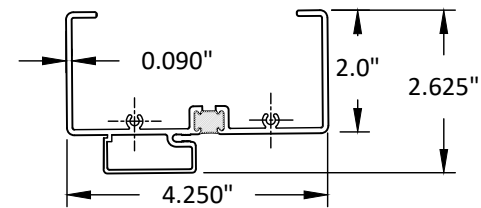
1 FRAME SILL - OUT ALUMINIUM 6063-T5



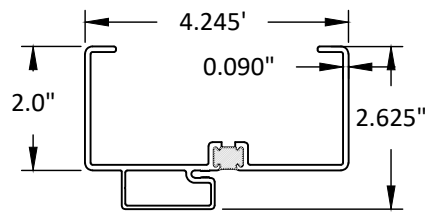
2 FRAME SILL - IN ALUMINIUM 6063-T5



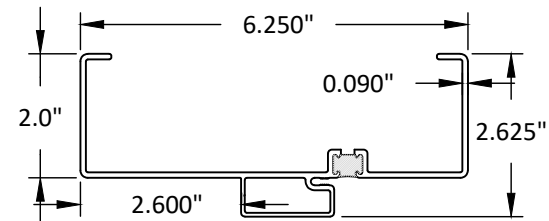
3 FRAME HEAD ALUMINIUM 6063-T5



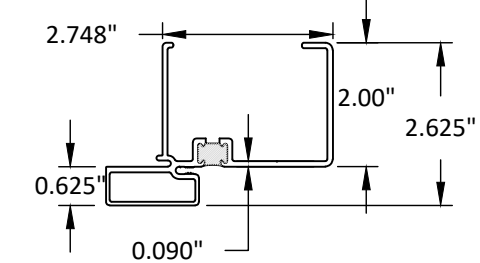
5 FRAME JAMB - 4.25" ALUMINIUM 6005-T5



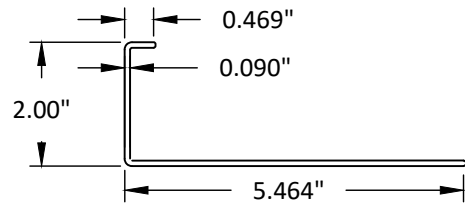
6 FRAME JAMB - 6.25" ALUMINIUM 6005-T5



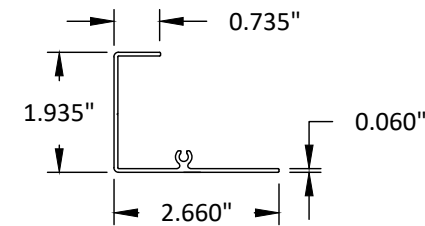
7 FRAME JAMB - 8.25" ALUMINIUM 6005-T5



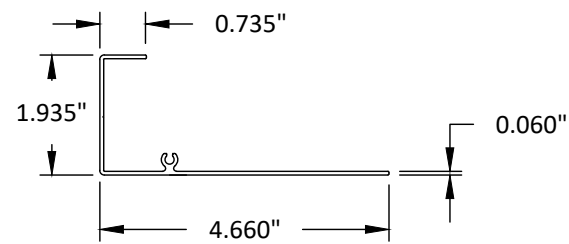
8 FRAME JAMB EXTENSION - 8.25" ALUMINIUM 6005-T5



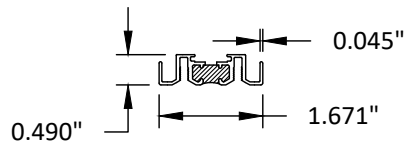
9 HEAD EXTENSION ALUMINIUM 6063-T5



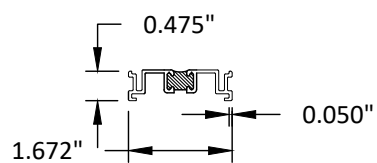
10 HEAD EXTENSION ALUMINIUM 6063-T5



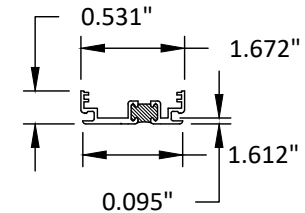
11 HEAD & SILL RAIL ALUMINIUM 6063-T5



12 STRIKE RAIL ALUMINIUM 6063-T5



13 HINGE RAIL ALUMINIUM 6063-T5



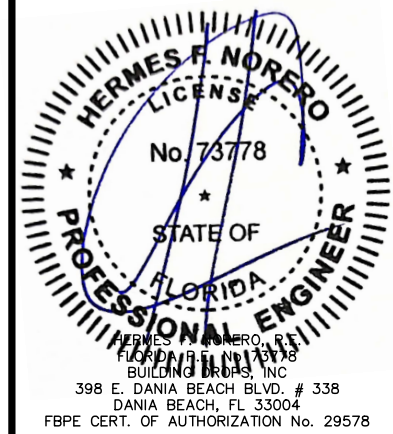
PLYCO

PLYCO CORPORATION
P.O. BOX 386
500 INDUSTRIAL RD.
ELKHART LAKE, WI, 53020
PH.: (920) 876-3611 FX: (920) 876-3527

TITLE: SERIES 92TB SINGLE INSWING/OUTSWING FLUSH DOOR W/ MORTISE LOCK & DEADBOLT COMPONENTS & BILL OF MATERIALS
PREPARED BY: BUILDING DROPS, INC.
398 E. DANIA BEACH BLVD., STE. 338
DANIA BEACH, FL 33004
PH: (954) 399-8478
FAX: (954) 744-4738
WEB: www.buildingdrops.com

REMARKS	BY	DATE
5TH FBC CODE CHANGE	AM	10.10.16
6TH FBC CODE CHANGE	SM	02.19.18
FBC CODE CHANGE	FB	08.22.23

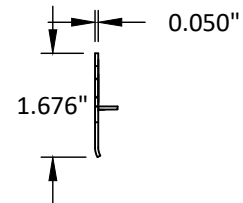
THE INSTALLATION DETAILS DESCRIBED HEREIN ARE GENERIC AND MAY NOT REFLECT ACTUAL CONDITIONS FOR A SPECIFIC SITE. IF SITE CONDITIONS CAUSE INSTALLATION TO DEVIATE FROM THE REQUIREMENTS DETAILED HEREIN, A LICENSED ENGINEER OR ARCHITECT SHALL PREPARE SITE SPECIFIC DOCUMENTS FOR USE WITH THIS DOCUMENT.



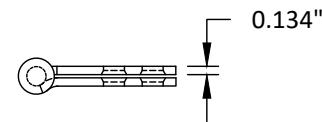
FL #:	FL16841
DATE:	08.19.13
DWG. BY:	SSM
CHK. BY:	MS
SCALE:	NTS
DWG. #:	PCO019
SHEET	5

8/28/2023 10:06 AM
z:\projects\plyco corp\cc-23-0750.1 - 2023 code change.dwg\pco019 specimen 6 new working.dwg

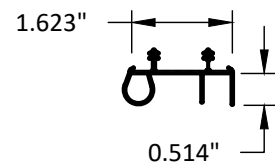
14 STRIKE PLATE
STAINLESS



15 4.5" BUTT HINGE
STAINLESS



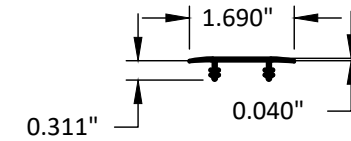
16 DOOR SWEEP
PVC-ALCRYN



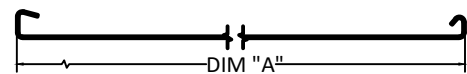
17 WEATHERSTRIPPING
Q-LON/FOAM



18 DOOR CAP
RIGID PVC

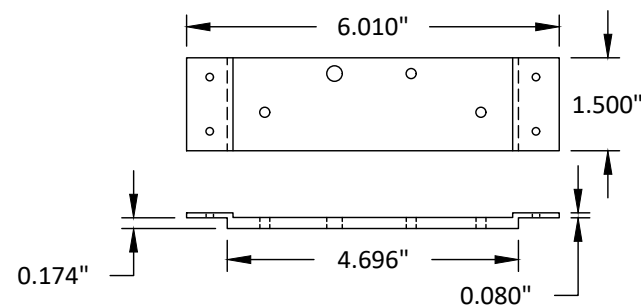


19 PANEL SKIN
.021" GALV. STL.

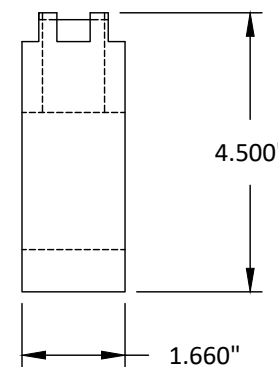


DIM "A"	
PANEL SIZE	SKIN SIZE
2'-4"	27.70"
2'-6"	29.70"
2'-8"	31.70"
3'-0"	35.70"
3'-6"	41.70"
4'-0"	47.70"

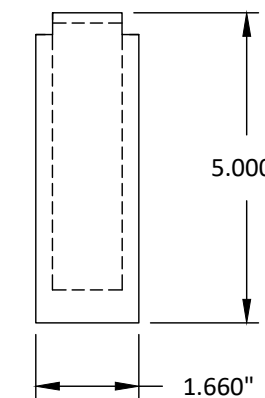
21 HINGE REINFORCEMENT
ALUMINUM 6063-T5



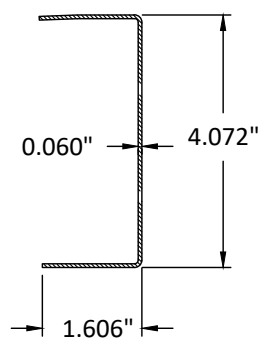
22 LOCK BLOCK
WOOD BLOCK



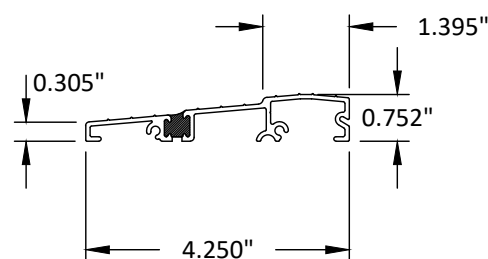
23 LOCK BLOCK M1
WOOD BLOCK



28 SHEAR PLATE
16 GA. STEEL



29 FRAME SILL - OUT
6063-T5



PLYCO

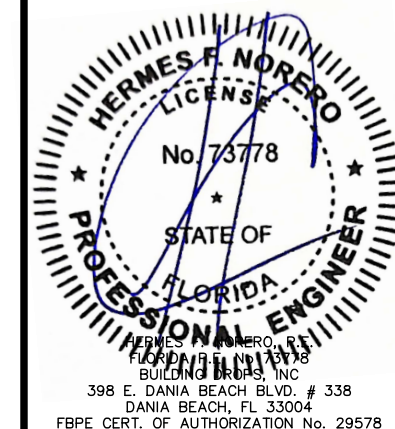
PLYCO CORPORATION
P.O. BOX 386
500 INDUSTRIAL RD.
ELKHART LAKE, WI, 53020
PH.: (920) 876-3611 FX: (920) 876-3527

TITLE: SERIES 92TB SINGLE
INSWING/OUTSWING FLUSH
DOOR W// MORTISE LOCK &
DEADBOLT
COMPONENTS (CONTINUED)

PREPARED BY:
BUILDING DROPS, INC.
398 E. DANIA BEACH BLVD., STE. 338
DANIA BEACH, FL 33004
PH: (954) 399-8478
FAX: (954) 744-4738
WEB: www.buildingdrops.com

REMARKS	BY	DATE
5TH FBC CODE CHANGE	AM	10.10.16
6TH FBC CODE CHANGE	SM	02.19.18
FBC CODE CHANGE	FB	08.22.23

THE INSTALLATION DETAILS DESCRIBED HEREIN ARE GENERIC AND MAY NOT REFLECT ACTUAL CONDITIONS FOR A SPECIFIC SITE. IF SITE CONDITIONS CAUSE INSTALLATION TO DEVIATE FROM THE REQUIREMENTS DETAILED HEREIN, A LICENSED ENGINEER OR ARCHITECT SHALL PREPARE SITE SPECIFIC DOCUMENTS FOR USE WITH THIS DOCUMENT.



FL #:
FL16841

DATE: **08.19.13**

DWG. BY: **SSM** CHK. BY: **MS**

SCALE: **NTS**

DWG. #: **PCO019**

SHEET

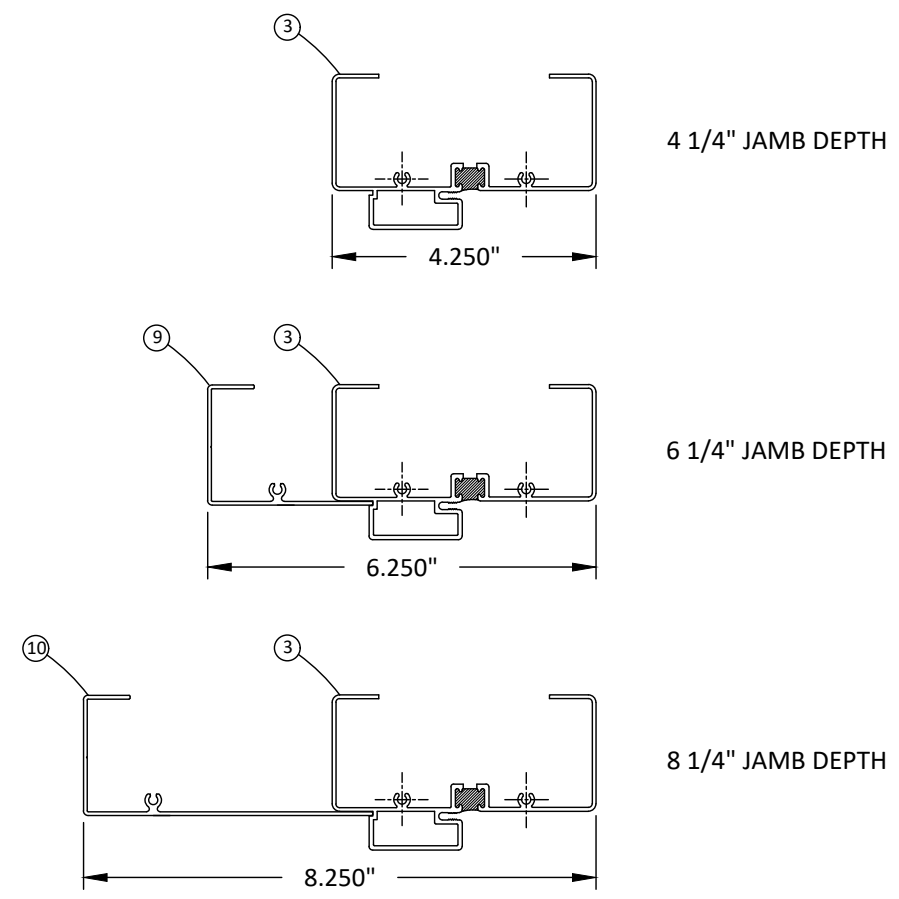
6

z:\projects\plyco corp\cc-23-0750.1 - 2023 code change.dwg\pco019 specimen 6 new working.dwg

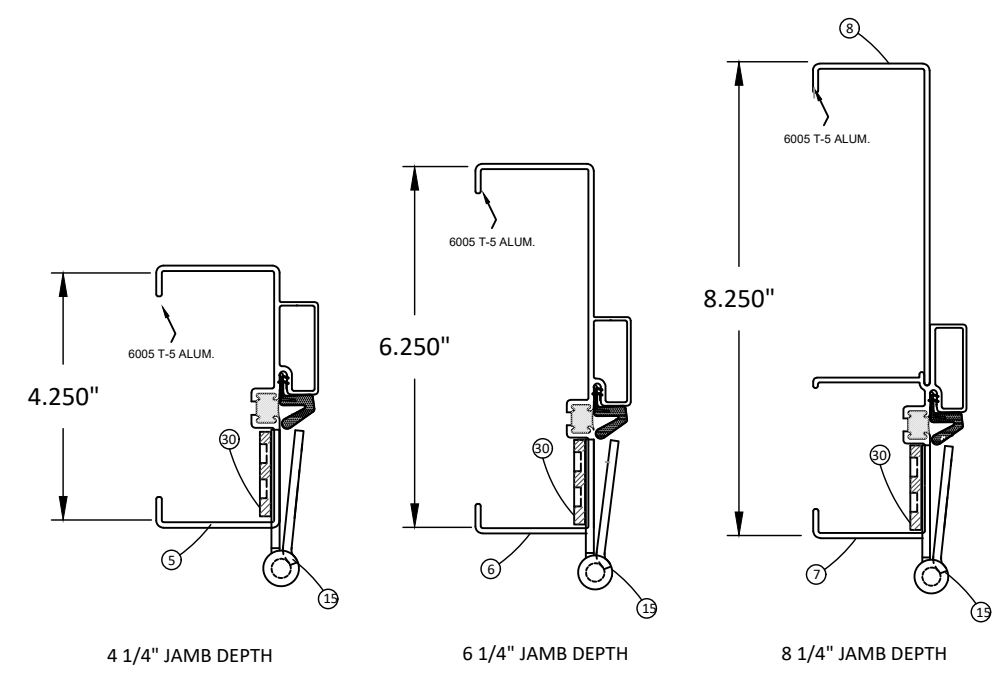
PLYCO

PLYCO CORPORATION
 P.O. BOX 386
 500 INDUSTRIAL RD.
 ELKHART LAKE, WI, 53020
 PH.: (920) 876-3611 FX: (920) 876-3527

FRAME EXTENSIONS (HEADER)



FRAME EXTENSIONS (JAMBS)

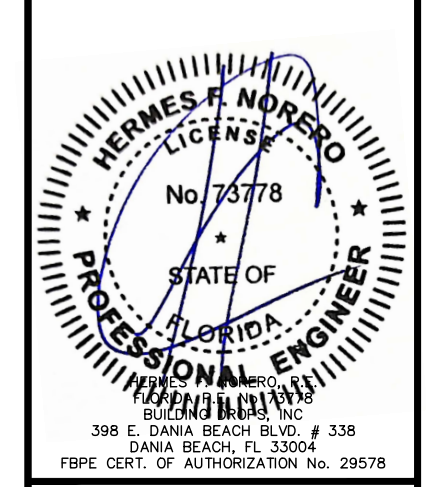


TITLE: SERIES 92TB SINGLE
 INSWING/OUTSWING FLUSH
 DOOR W/ MORTISE LOCK &
 DEADBOLT
 OPTIONAL FRAME EXTENSIONS
 DETAIL

PREPARED BY: BUILDING DROPS, INC.
 398 E. DANIA BEACH BLVD., STE. 338
 DANIA BEACH, FL 33004
 PH: (954) 399-8478
 FAX: (954) 744-4738
 WEB: www.buildingdrops.com

REMARKS	BY	DATE
5TH FBC CODE CHANGE	AM	10.10.16
6TH FBC CODE CHANGE	SM	02.19.18
FBC CODE CHANGE	FB	08.22.23

THE INSTALLATION DETAILS DESCRIBED HEREIN ARE GENERIC AND MAY NOT REFLECT ACTUAL CONDITIONS FOR A SPECIFIC SITE. IF SITE CONDITIONS CAUSE INSTALLATION TO DEVIATE FROM THE REQUIREMENTS DETAILED HEREIN, A LICENSED ENGINEER OR ARCHITECT SHALL PREPARE SITE SPECIFIC DOCUMENTS FOR USE WITH THIS DOCUMENT.



FL #: **FL16841**

DATE: **08.19.13**

DWG. BY: **SSM** CHK. BY: **MS**

SCALE: **NTS**

DWG. #: **PCO019**

SHEET

7

OF 7